

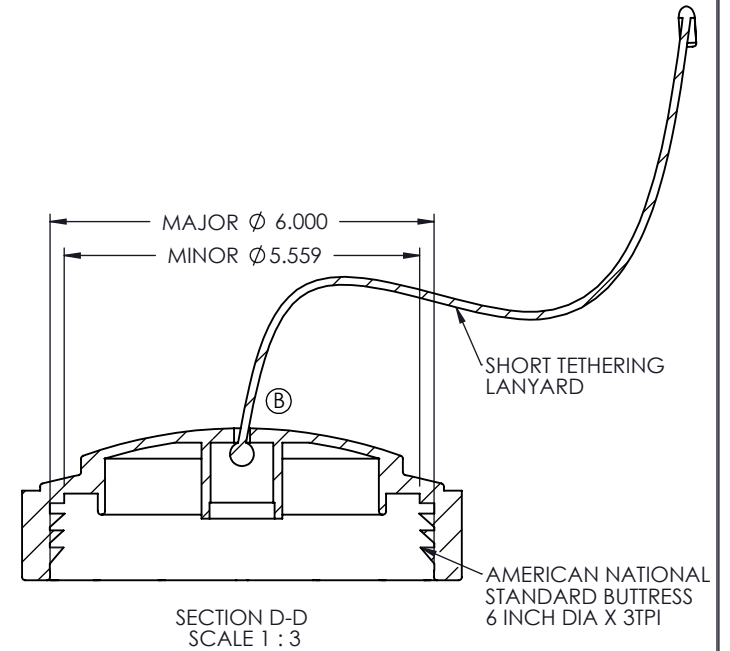
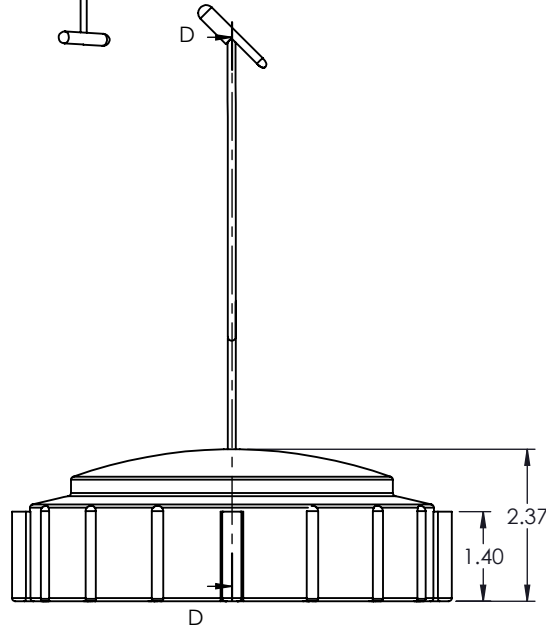
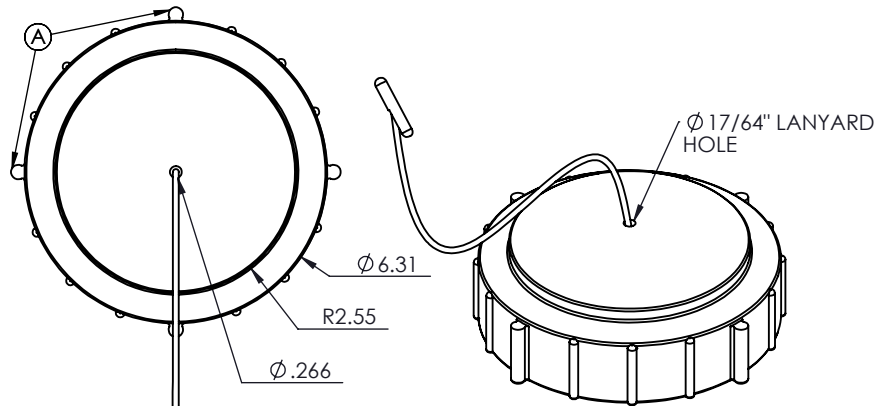
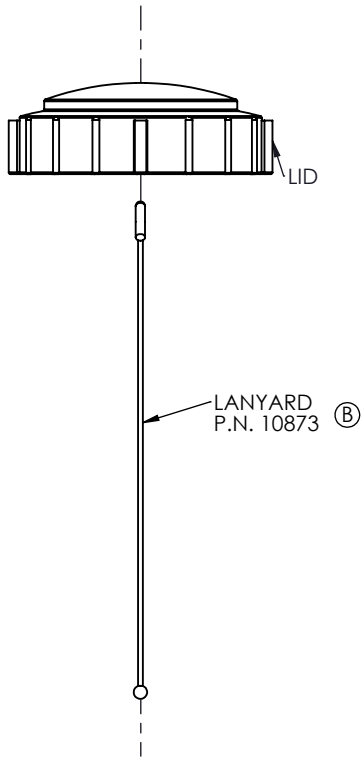
PROPRIETARY DATA

PROPERTY OF DEN HARTOG MFG., INC. INFORMATION FURNISHED HEREIN IS THE PROPERTY OF ACE ROTO-MOLD MFG., INC. AND SHALL NOT BE USED, DISCLOSED TO OTHERS, OR COPIED WITHOUT THE EXPRESSED WRITTEN CONSENT OF ACE ROTO-MOLD MFG., INC. ALL RIGHTS RESERVED.

12499

B


ASSEMBLY



B	LANYARD CORRECTED	ADH 6/19/08	1682
A	HOLES REMOVED	ADH 6/5/08	1645
REV	DESCRIPTION	BY / DATE	CCN

DRAWN / DATE	ADH 11/13/07
APPRD. / DATE	MVE 11/17/07

MATERIAL	INOVINE L12Z-01 OR EQUIVALENT
----------	-------------------------------------



Den Hartog

INDUSTRIES, INC.

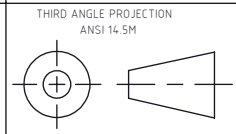
Ace Roto-Mold Injection Molding Blow Molding Sowjoy

4010 HOSPERS DRIVE S. BOX 421, HOSPERS, IOWA 51238-0421

DESCRIPTION	5 INCH LID WITH SHORT LANYARD ASSEMBLY	
SCALE	N.S.	PART NO. 12499

ALL DIMENSIONS ARE IN DECIMAL INCHES
TOLERANCES UNLESS OTHERWISE SPECIFIED

XXX ± 0.016
XX ± 0.032
X ± 0.062



NOTES:

- 1.) BLACK COLOR
2. WEIGHT 0.52 LBS.