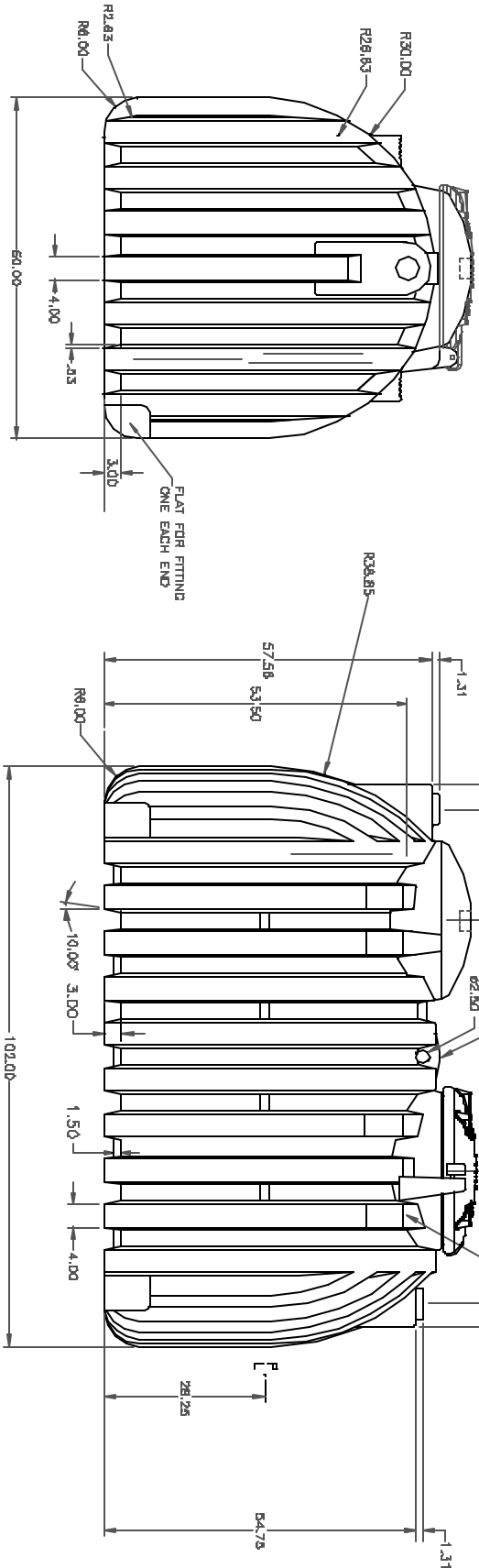
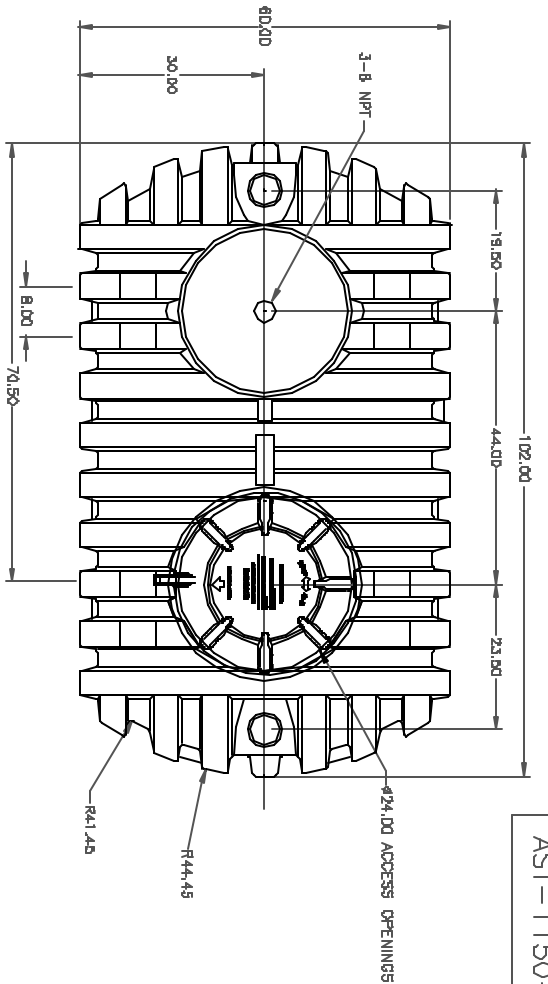


PROPRIETARY DATA

PROPERTY OF ACE ROTO-MOLD MFG., INC. INFORMATION FURNISHED HEREIN IS THE PROPERTY OF ACE ROTO-MOLD MFG., INC. AND SHALL NOT BE USED, DISCLOSED TO OTHERS, OR COPIED WITHOUT THE EXPRESSED WRITTEN CONSENT OF ACE ROTO-MOLD MFG., INC. ALL RIGHTS RESERVED.

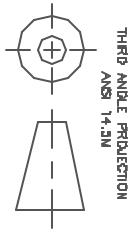
AST-1150-1W

(A) REFERENCE PUBLICATION 10039 FOR SEPTIC TANKS OR INSTALLATION GUIDELINES.



REV	DESCRIPTION	DATE	APPRD.	DRAWN / DATE	MATERIAL
C	CHANGE TO ONE LID	1/28/06	DHJ	DHJ / 6/10/04	
B	CHANGE WEIGHT WAS 390	9/7/05	DHJ		EXDN MODEL B661 HDPE REFERENCE MATERIAL DATA SHEET FOR SPECIFIC PROPERTIES.
A	ADDED PUBLICATION REF	9/30/05	NVE	APPRD. / DATE	

REV	DESCRIPTION	DATE	APPRD.
	ALL DIMENSIONS ARE IN DECIMAL INCHES TOLERANCES UNLESS OTHERWISE SPECIFIED		



- NOTES:
1. NOM. WALL \varnothing .250
 2. NATURAL COLOR
 3. SHOT WEIGHT 414 LBS.

SCALE	CLIENT / DESCRIPTION	PART NO.
N.S.	1000 GAL. CISTERN TANK	AST-1150-1W

