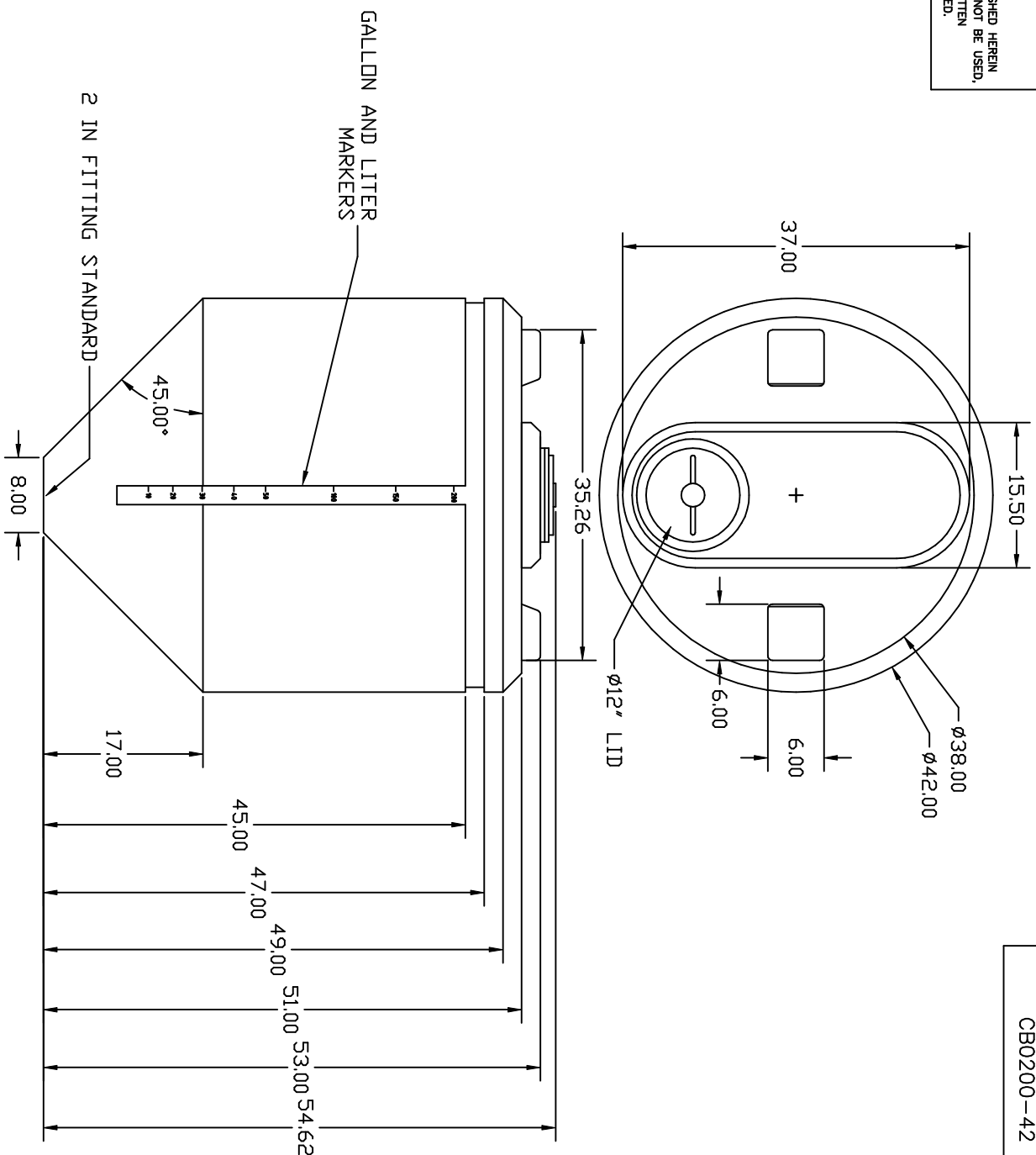


PROPRIETARY DATA

PROPERTY OF DEN HARTOG INDUSTRIES, INC. INFORMATION FURNISHED HEREIN IS THE PROPERTY OF DEN HARTOG INDUSTRIES, INC. AND SHALL NOT BE USED, DISCLOSED TO OTHERS, OR COPIED WITHOUT THE EXPRESSED WRITTEN CONSENT OF DEN HARTOG INDUSTRIES, INC. ALL RIGHTS RESERVED.

CB0200-42

B



REV	DESCRIPTION	DATE	APPRD	DRAWN / DATE	MATERIAL	CLIENT / DESCRIPTION
B	UPDATED SUMP AND HEIGHT DIMS.	6/30/06	NVE	REH 8/27/97	HDPPE OR EQUIVALENT REFERENCE MATERIAL DATA SHEET FOR SPECIFIC PROPERTIES.	 <p>ACE ROTO-MOLD A DIVISION OF DEN HARTOG INDUSTRIES, INC. 4010 HWY. 60 BLVD, BOX 425, HOSPER, IOWA 51238</p>
A	ISOLATED STAND AND TANK	5/12/06	NVE	APPRD. / DATE REH 8/27/97		
REV	DESCRIPTION	DATE	APPRD			

ALL DIMENSIONS ARE IN DECIMAL INCHES
TOLERANCES UNLESS OTHERWISE SPECIFIED

+ 1% @ 68° F



- NOTES:
1. NOM. WALL @ .302
 2. SHOT WEIGHT 75 LBS.

SCALE	N.S.	PART NO.	CB0200-42
200 GALLON CONE BOTTOM TANK			