

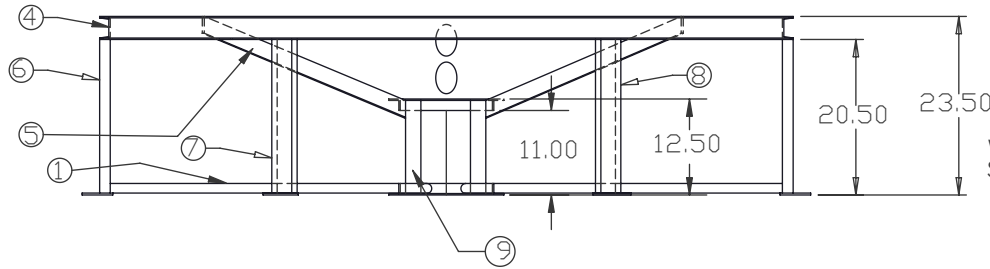
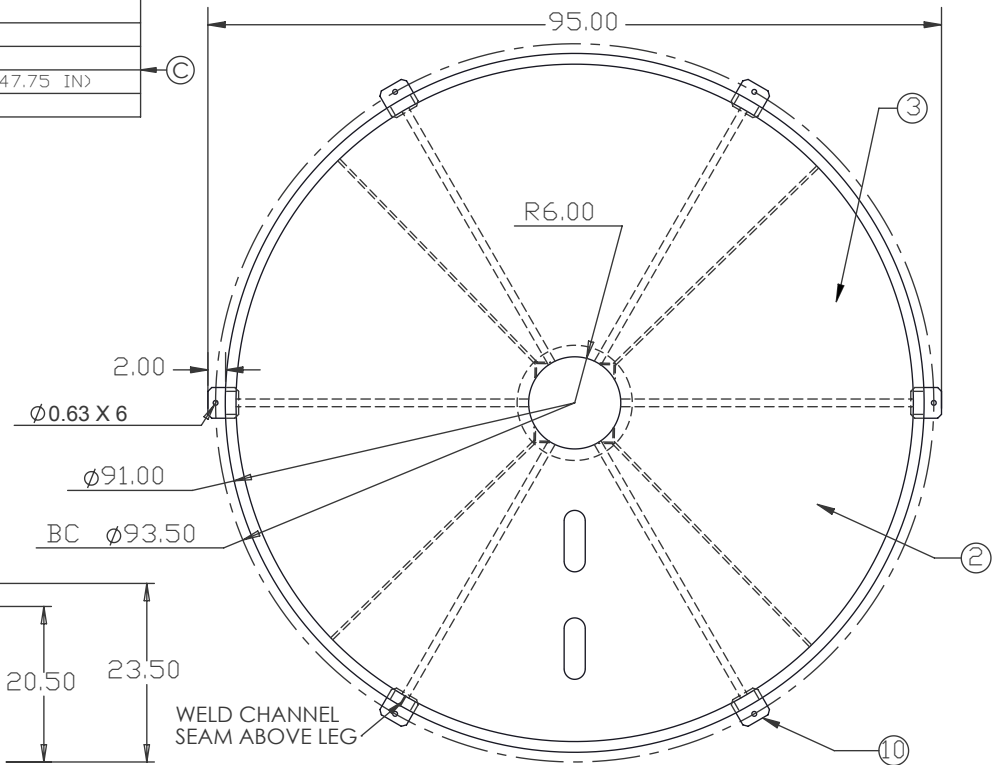
PROPRIETARY DATA

CB090-15ST

C

PROPERTY OF ACE ROTO-MOLD MFG., INC. INFORMATION FURNISHED HEREIN IS THE PROPERTY OF ACE ROTO-MOLD MFG., INC. AND SHALL NOT BE USED, DISCLOSED TO OTHERS, OR COPIED WITHOUT THE EXPRESSED WRITTEN CONSENT OF ACE ROTO-MOLD MFG., INC. ALL RIGHTS RESERVED.

KEY	PART NUMBER	MATERIAL	DESCRIPTION	QTY.
1	CB090-15ST-1	P10000	1" PIPE	6 @ 37.75 IN (226.5 IN)
2	CB090-15ST-2	S-14GA	14 GA SHEET STEEL(HOLES)	1
3	CB090-15ST-3	S-14GA	14 GA SHEET STEEL	2 @48" X 96" (9216 SI)
4	CB090-15ST-4	C03X4.1	3" CHANNEL	298 IN
5	CB090-15ST-5	B03750X20000	3/8" X 2"MILD STEEL FLAT	4 @ 38 IN (152 IN)
6	CB090-15ST-6	C03X4.1	3" CHANNEL	6 @ 20.50 IN (123 IN LEFT AND RIGHT LEGS INCLUDED)
7	CB090-15ST-7	C03X4.1	3" CHANNEL (LEFT)	1
8	CB090-15ST-8	C03X4.1	3" CHANNEL (RIGHT)	1
9	12521	RAR-12	12" CONE BOTTOM RING	2
	12522		3/16" X 2" ANGLE	4 @ 11 15/16"(47.75 IN)
10	SJCB86-90ST-7	SJCB86-90ST-7	1/4" X 4" X 4" LEG PAD	6



REV	DESCRIPTION	BY / DATE	CCN	THIRD ANGLE PROJECTION ANSI 14.5M	NOTES:
C	12521 WAS SJCB85/90ST-2	ADH 12/7/07	1542		
B	TOLERANCE WAS 1%@68°F	GWC 3/8/07			
A	ADDED COMPONANT MATERIALS	NVE 4/11/06			

Den Hartog
INDUSTRIES, INC.

Ace Roto-Mold Injection Molding Blow Molding Sowjoy

4010 HOSPERS DRIVE S. BOX 425, HOSPERS, IOWA 51238-0421

DESCRIPTION **CONE BOTTOM STAND FOR ϕ 90 15° TANKS**

SCALE **N.S.** PART NO. **CB090-15ST**

ALL DIMENSIONS ARE IN DECIMAL INCHES
TOLERANCES UNLESS OTHERWISE SPECIFIED

DECIMAL $\pm .125"$
FRACTION $\pm 1/4"$
ANGLE $\pm 1^\circ$