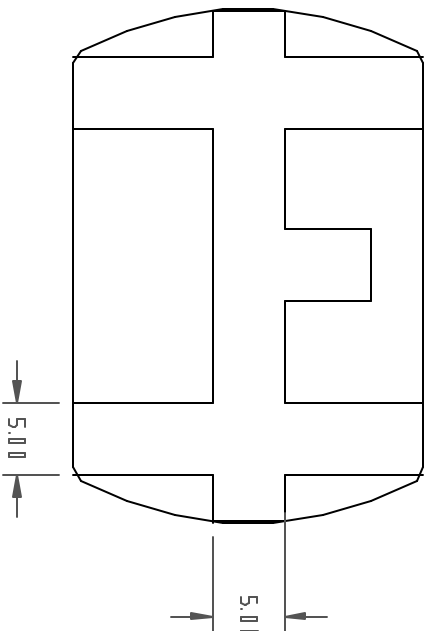
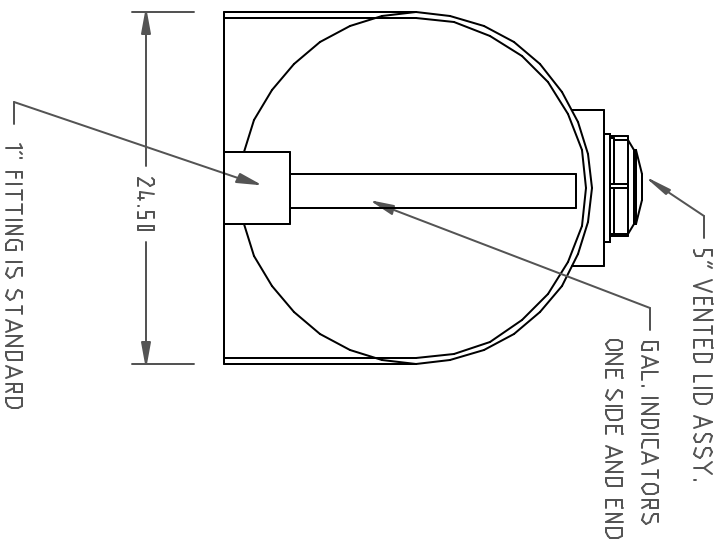
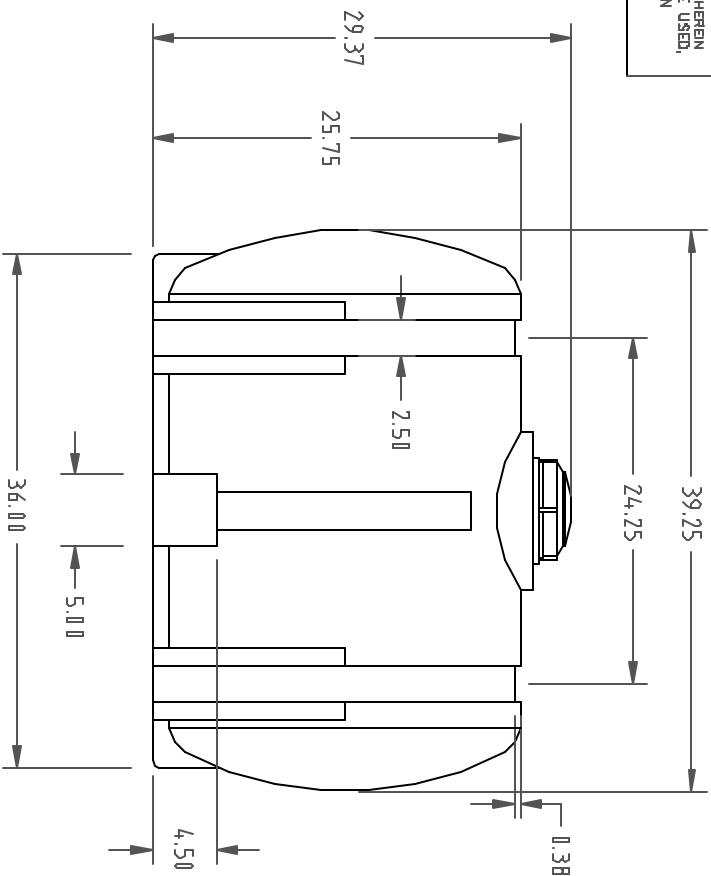


PROPRIETARY DATA

PROPERTY OF ACE ROTO-MOLD MFG., INC. INFORMATION FURNISHED HEREIN IS THE PROPERTY OF ACE ROTO-MOLD MFG., INC. AND SHALL NOT BE USED, DISCLOSED TO OTHERS, OR COPIED WITHOUT THE EXPRESSED WRITTEN CONSENT OF ACE ROTO-MOLD MFG., INC. ALL RIGHTS RESERVED.

FS0065-24

A



| REV | DESCRIPTION   | DATE    | APPRD. | DRAWN / DATE  | REH / DATE |
|-----|---------------|---------|--------|---------------|------------|
| A   | CHANGE WEIGHT | 8/12/05 |        |               |            |
|     |               |         |        | REH / DATE    | 5/30/02    |
|     |               |         |        | APPRD. / DATE | 5/30/02    |

MATERIAL

32 LB.

CLIENT / DESCRIPTION

65 GALLON FREE STANDING TANK

**AGE ROTO-MOLD**

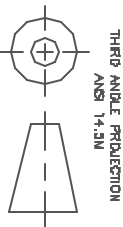
A DIVISION OF DEN HARTOG INDUSTRIES, INC.

4018 HWY. 60 BLVD. BOX 421, HOSPERS, IOWA 51238

- NOTES:
1. WHITE, YELLOW, OR BLACK COLOR
  2. NOM. WALL .200

ALL DIMENSIONS ARE IN DECIMAL INCHES  
TOLERANCES UNLESS OTHERWISE SPECIFIED

+ .5% @ 68° F



SCALE

N.S.

PART NO.

FS0065-24