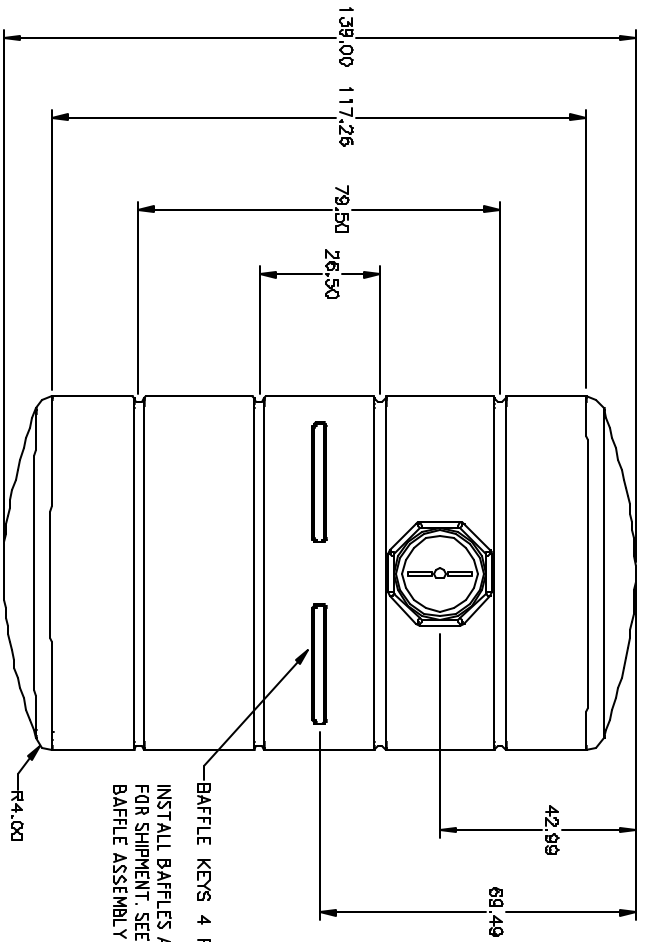


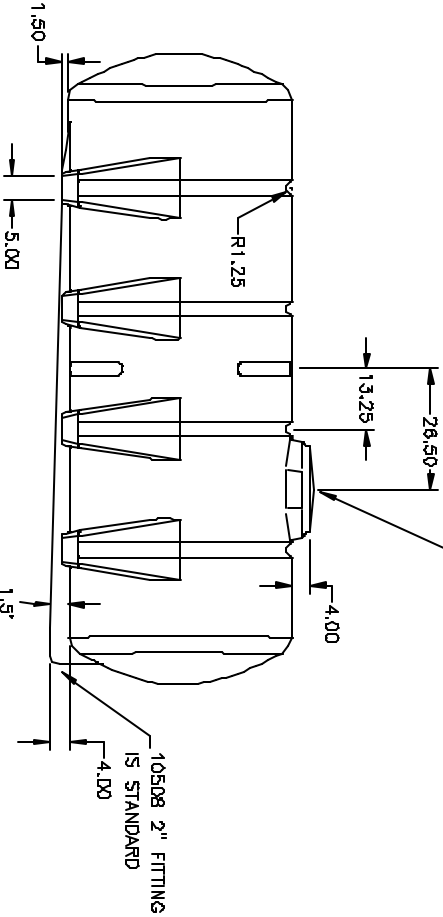
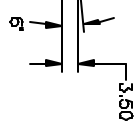
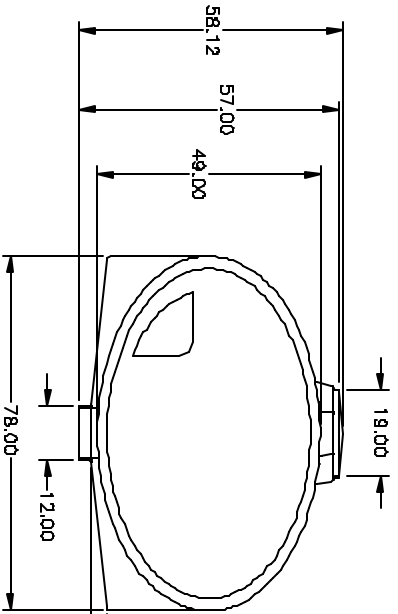
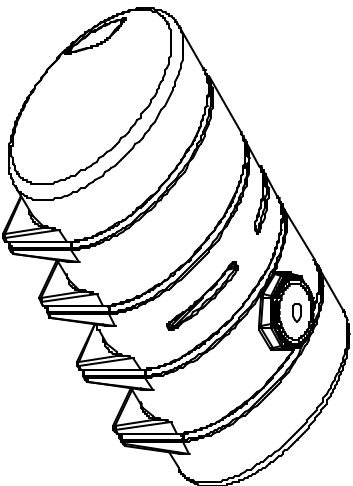
PROPRIETARY DATA

FS1610-78

PROPERTY OF ACE ROTOMOLD MFG. INC. INFORMATION FURNISHED HEREON IS THE PROPERTY OF ACE ROTOMOLD MFG. INC. AND SHALL NOT BE USED, DISCLOSED TO OTHERS, OR COPIED WITHOUT THE EXPRESS WRITTEN CONSENT OF ACE ROTOMOLD MFG. INC. ALL RIGHTS RESERVED.



BAFFLE KEYS 4 PLACES
INSTALL BAFFLES AND STRUTS
FOR SHIPMENT. SEE FS1611-78
BAFFLE ASSEMBLY DIAGRAM.

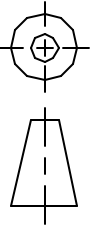


10528 18" VENTED LID AND
10534 LANYARD

10508 2" FITTING
IS STANDARD

REV	DESCRIPTION	DATE	APPRO	DRAWN / DATE	APPRO / DATE	MATERIAL
				REV/3/11/16	REV/3/11/16	USE 3-BELT RESIN REFERENCE MATERIAL DATA SHEET FOR SPECIFIC PROPERTIES.

THIRD ANGLE PROJECTION
ANSI Z39.1



ACE Rotomold
A DIVISION OF ACE ROTOMOLD INDUSTRIES, INC.
4118 HWY. 60 BLVD., BOX 421, HOSPER, IOWA 51236

CLIENT / DESCRIPTION: 1610 END DRAINABLE LEG TANK

ALL DIMENSIONS ARE IN DECIMAL INCHES
TOLERANCES UNLESS OTHERWISE SPECIFIED
± 1% @ 68° F

SCALE: N.S. PART NO.: FS1610-78

NOTES:
1. NOM. WALL @ .375
2. WHITE DR YELLOW COLOR
3. SHOT WEIGHT 4.91 LBS.