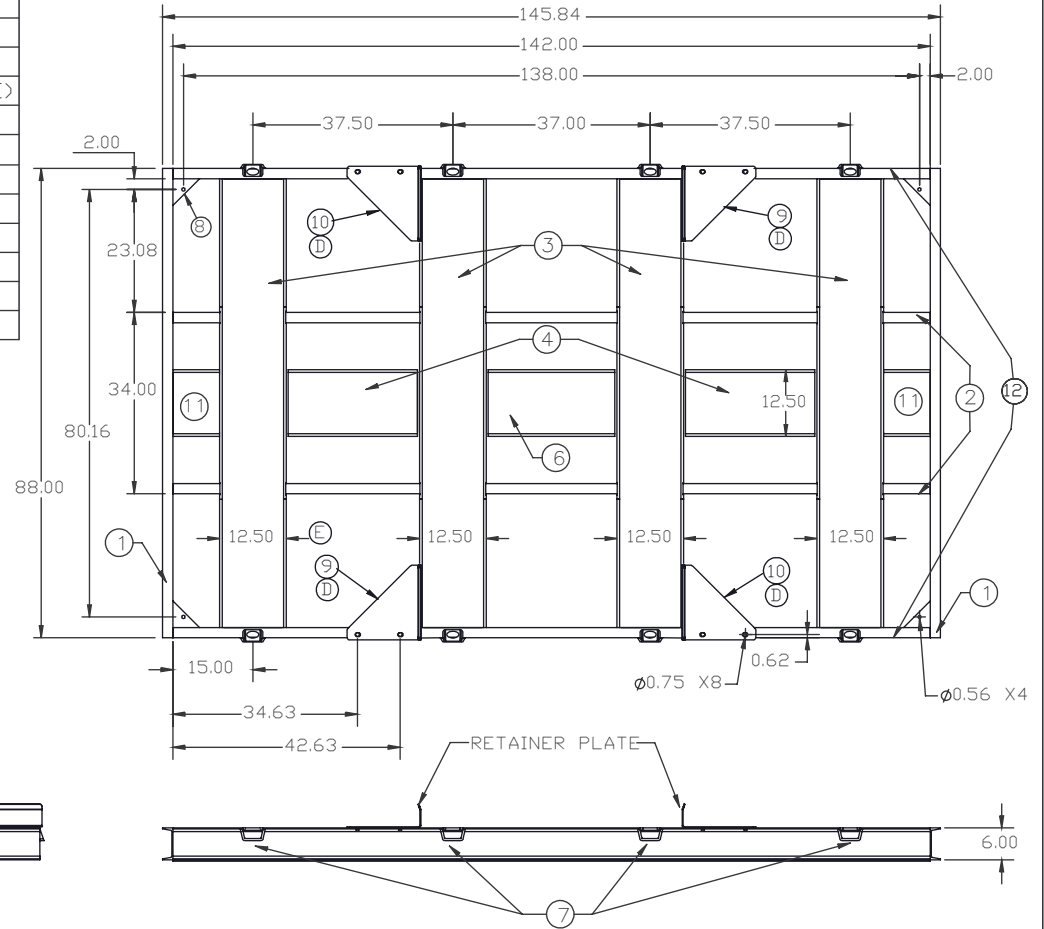
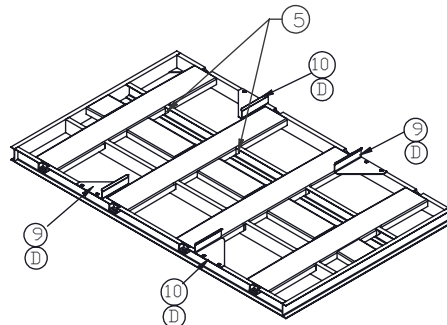


Copyright. All information furnished within this document, electronic file or design correspondence is the property of Den Hartog industries, Inc. and shall not be used, disclosed to others or copied without the expressed written consent of Den Hartog Industries, Inc.

KEY	PART NUMBER	MATERIAL	DESCRIPTION	QTY.
1	FS2350/3250-SK-1	C06X82	6" CHANNEL	2 @ 88"(176 IN)
2	FS2350/3250-SK-2	C06X82	6" CHANNEL	2 @ 142"(284 IN)
3	FS2350/3250-SK-3	S-2500	1/4" SHEET	4 @ 18" X 84"(6048 SI)
4	FS2350/3250-SK-4	S-2500	1/4" SHEET	2 @ 18" X 24.75"(891 SI)
5	FS2350/3250-SK-5	S-2500	1/4" SHEET	16 @ 2.5" X 2.5"(100 SI)
6	FS2350/3250-SK-6	S-2500	1/4" SHEET	18" X 24.25"(436.5 SI)
7	SJ19121	S-3750	HOOP BRACKET	8
8	12411	S-2500	5 X 5 GUSSET	4
9	FS10026	S-1875	RH RETAINER	2
10	FS10027	S-1875	LH RETAINER	2
11	FS2350/3250-SK-11	S-2500	1/4" SHEET	2 @ 18" X 8.75"(315 SI)
12	FS2350/3250-SK-12	C06X82	6" CHANNEL	2 @ 142"(284 IN)



F	COMPONENT INFORMATION ADDED TO TABLE DRAWING TEMPLATE UPDATED.	ADH 3/27/09	CCN1828
E	CORRECTED DIMENSION	ADH 11/2/07	CCN1496
D	ADDED # 9 & 10 BOM KEYS	ADH 8/30/07	CCN1449
C	ADD 2750	DHJ 1/8/07	
B	ADD BILL OF MATERIALS	NVE 8/1/06	
A	FINALIZE READY FOR PRODUCTION	2/10/05	
REV	DESCRIPTION	BY / DATE	CCN

DRAWN / DATE	MATERIAL
DHJ 12/21/04	
APPRD. / DATE	
ADH 11/2/07	

SHOT WEIGHT:	NOTES:
SHIPPING WEIGHT:	
FINISH:	



**Den Hartog**  
INDUSTRIES, INC.

Ace Roto-Mold Injection Molding Blow Molding Sowjoy

4010 HOSPERS DRIVE S. BOX 425, HOSPERS, IOWA 51238-0421

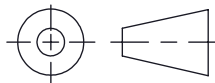
DESCRIPTION SKID FOR 2350 & 2750 & 3250 LEG TANK

SCALE N.S.

PART NO. FS2350/3250-SK

ALL DIMENSIONS ARE IN DECIMAL INCHES TOLERANCES UNLESS OTHERWISE SPECIFIED

THIRD ANGLE PROJECTION  
ANSI 14.5M



POLYETHYLENE

METAL  
DECIMAL ± .125"  
FRACTION ± 1/4"  
ANGLE ± 1°

±1% @ 68°F