

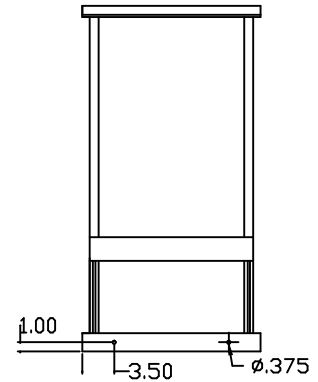
PROPRIETARY DATA

FS3250-LAD

C

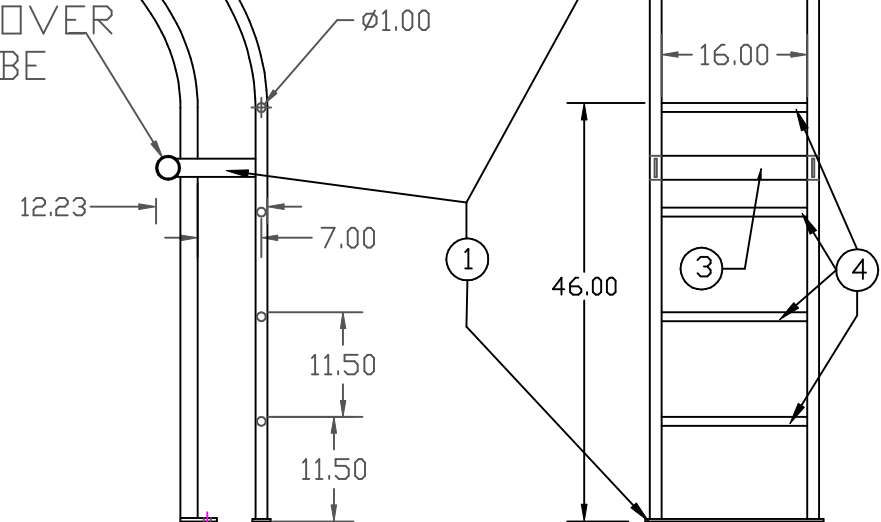
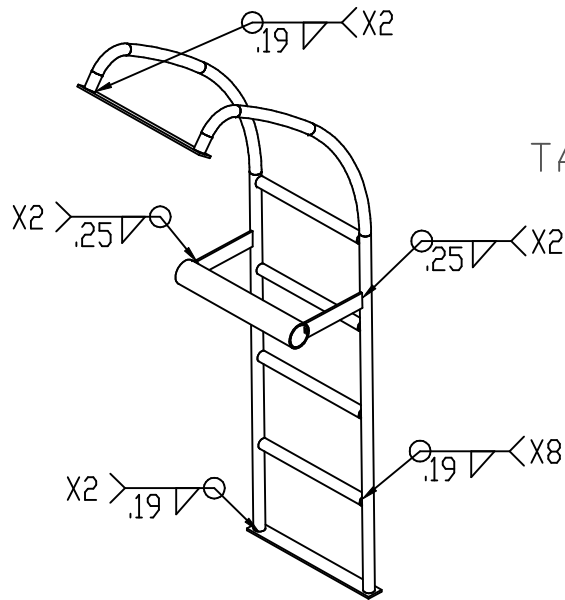
PROPERTY OF DEN HARTOG INDUSTRIES, INC. INFORMATION FURNISHED HEREIN IS THE PROPERTY OF DEN HARTOG INDUSTRIES, INC. AND SHALL NOT BE USED, DISCLOSED TO OTHERS, OR COPIED WITHOUT THE EXPRESSED WRITTEN CONSENT OF DEN HARTOG INDUSTRIES, INC. ALL RIGHTS RESERVED.

KEY	PART NUMBER	DESCRIPTION	QTY.
1	B02500X20000	1/4 X 2 FLAT	56.0 IN
2	P10000	1" PIPE	185.0 IN
3	P25000	2 1/2" PIPE	18.0 IN
4	T1000X01090	1 OD X .109 TUBING	64.0 IN




STANDARD TANK HOOP

LADDER MOUNTS OVER TANK SIDE SUPPORT TUBE



C	TOLERANCE WAS 1% @ 68° F	3/19/07	GWC	DRAWN / DATE	MATERIAL
B	ADD B.O.M. AND WELD DESC	7/20/06	NVE	DHJ / 10/25/04	
A	ADD PART #	2/4/05		APPRD. / DATE	MILD STEEL
REV	DESCRIPTION	DATE	APPRD	ADH / 11/20/07	
ALL DIMENSIONS ARE IN DECIMAL INCHES TOLERANCES UNLESS OTHERWISE SPECIFIED DECIMAL +/- .125" FRACTION +/- 1/4" ANGLE +/- 2°				THIRD ANGLE PROJECTION ANSI 14.5M 	
				NOTES: 1. WEIGHT 46 LBS. 2. BLACK COLOR - POWDER COATED	



ACE ROTO-MOLD
 A DIVISION OF DEN HARTOG INDUSTRIES, INC.
 4010 HWY. 60 BLVD, BOX 425, HOSPERS, IOWA 51238

CLIENT / DESCRIPTION
LADDER FOR 3250 GALLON ELLIPTICAL LEG TANK

SCALE N.S.	PART NO. FS3250-LAD
---------------	------------------------