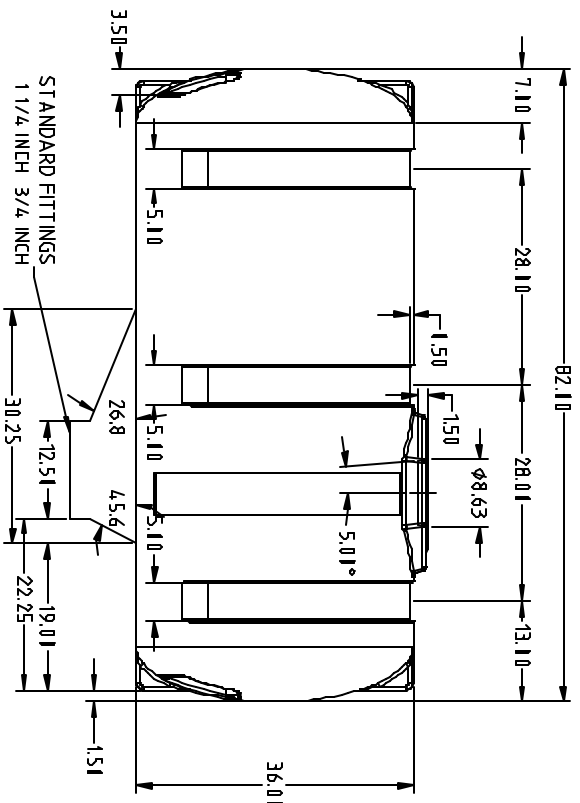
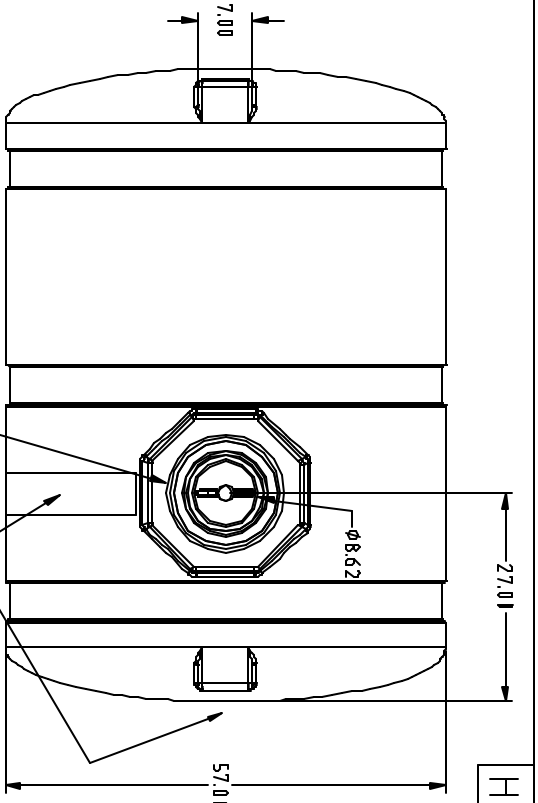
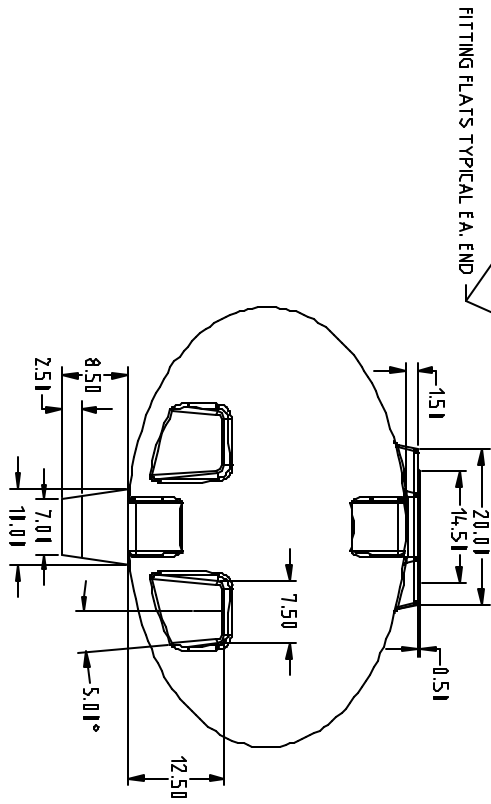
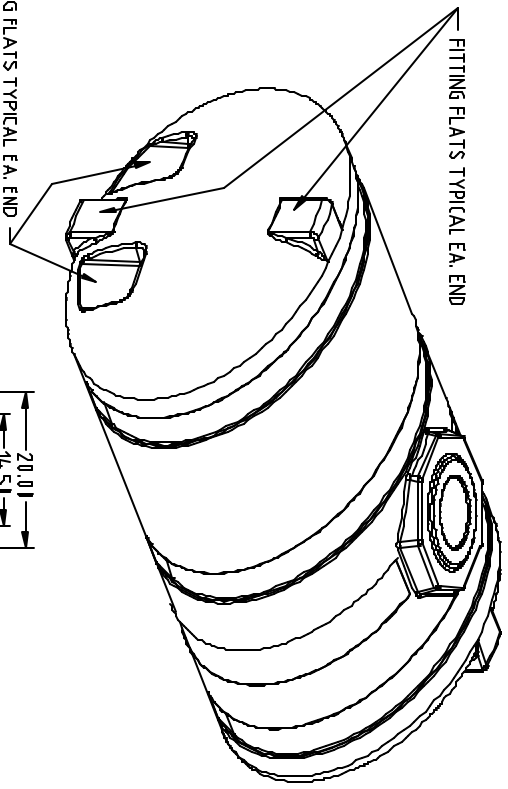


PROPRIETARY DATA

PROPERTY OF ACE ROTO-MOLD MFG., INC. INFORMATION FURNISHED HEREIN IS THE PROPERTY OF ACE ROTO-MOLD MFG., INC. AND SHALL NOT BE USED, DISCLOSED TO OTHERS, OR COPIED WITHOUT THE EXPRESSED WRITTEN CONSENT OF ACE ROTO-MOLD MFG., INC. ALL RIGHTS RESERVED.

HED0500-57

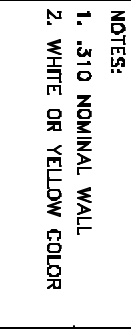


REV	DESCRIPTION	DATE	APPRD.	DRAWN / DATE
				DHD/6/18/03
				APPRD. / DATE

MATERIAL / SHOT WEIGHT
HDPE/165 LB.

NOTES:
1. .310 NOMINAL WALL
2. WHITE OR YELLOW COLOR

ALL DIMENSIONS ARE IN DECIMAL INCHES
TOLERANCES UNLESS OTHERWISE SPECIFIED
+ .5% @ 68° F



CLIENT / DESCRIPTION
ACE 500 GALLON ELLIPTICAL TANK DEEP SUMP

SCALE N.S.

PART NO. HED0500-57

