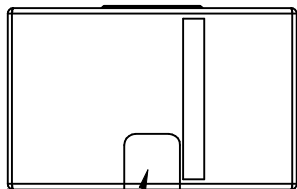
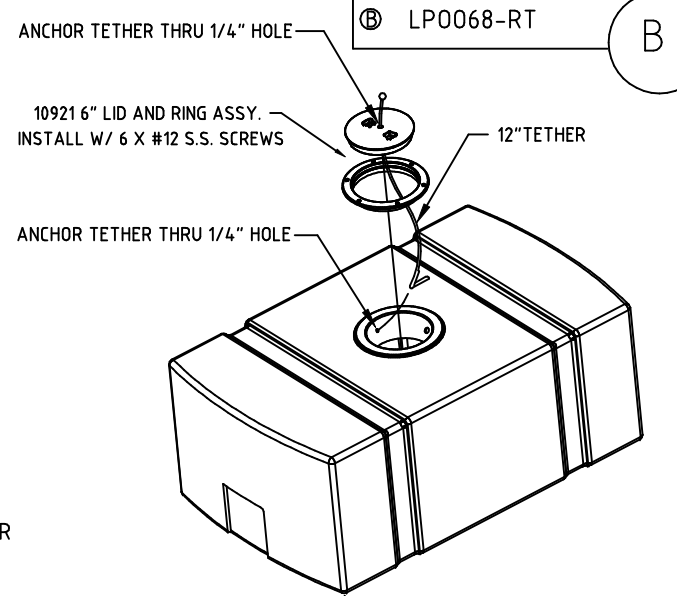
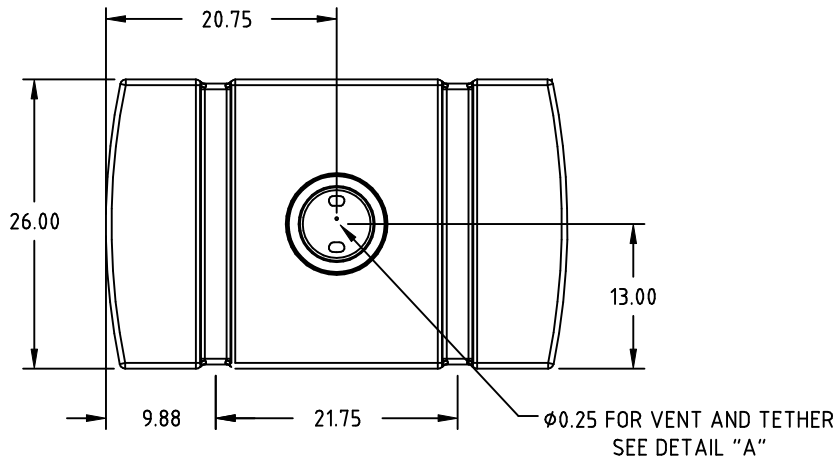
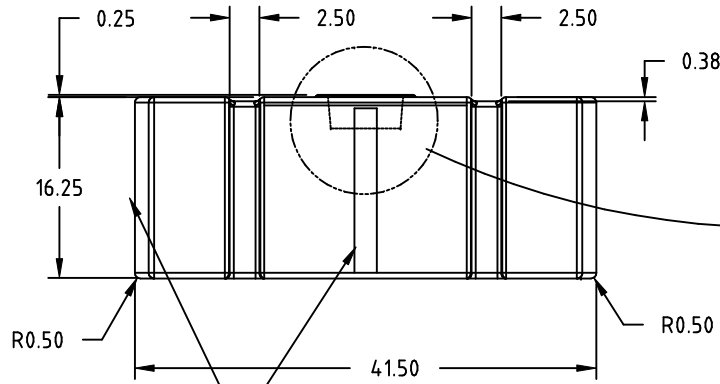


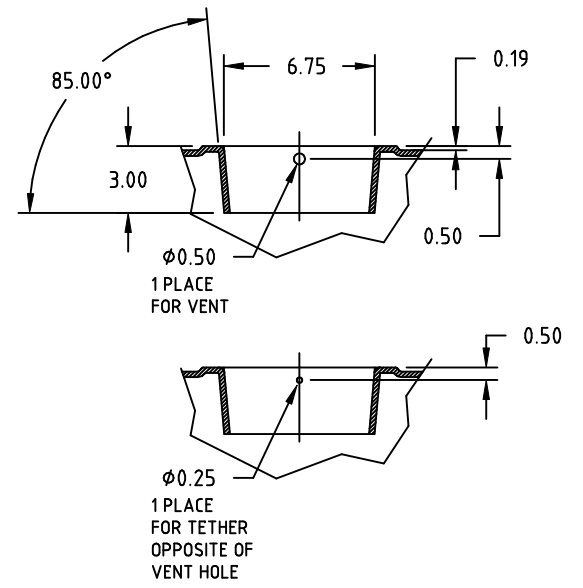
DRILL  $\phi 0.25$  THRU  
UNDERSIDE TUBE



FITTING FLAT .50 DEEP  
ONE END ONLY  
STANDARD FITTING IS 1" FPT



GALLON MARKER THIS SIDE  
AND END. CALIBRATIONS IN  
5 GALLON INCREMENTS



B	PART NUMBER UPDATED CCN 1700	ADH 8/19/08
A	ADDED TETHER 12/6/01	
REV	DESCRIPTION	DATE APPRD

DRAWN / DATE	REH / 10/21/01
APPRD. / DATE	DHJ / 10/21/01

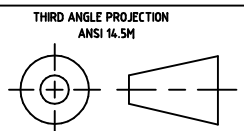
MATERIAL:  
MOBIL 134 / NAT. COLOR  
SHOT WT. = 40.0 LB.



**Ace Roto-Mold**  
A DIVISION OF DEN HARTOG INDUSTRIES, INC.  
4010 HOSPERS DRIVE S., BOX 425, HOSPERS, IOWA 51238

CLIENT / DESCRIPTION  
**68 GAL. RECTANGULAR TANK**

ALL DIMENSIONS ARE IN DECIMAL INCHES  
TOLERANCES UNLESS OTHERWISE SPECIFIED  
 $\pm 1\%$  @ 68° F



SCALE  
N.S.

PART NO.  
Ⓟ LP0068-RT