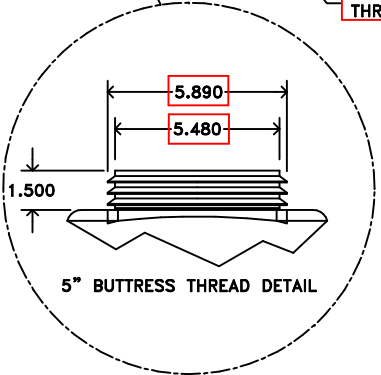
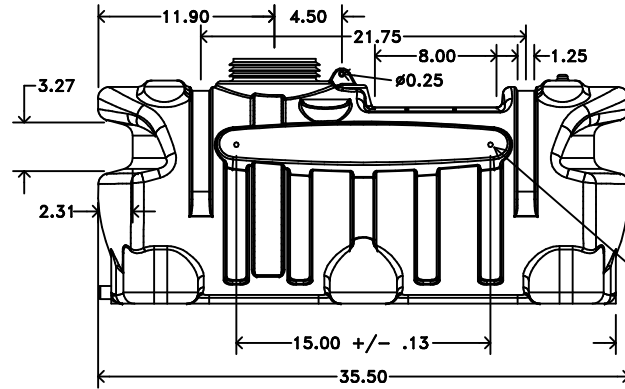


.500 BORE THRU
THREADED BOSS



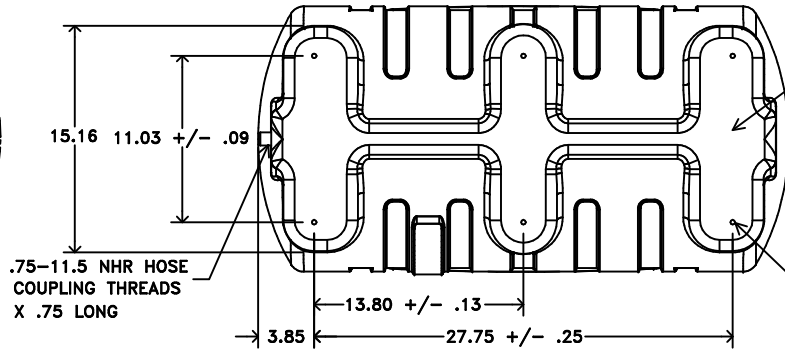
5" BUTRESS THREAD DETAIL

STACKING HEIGHT



© DEN HARTOG INDUSTRIES, INC.
Copyright. All information furnished within this document, electronic file or design correspondence is the property of Den Hartog Industries, Inc. and shall not be used, disclosed to others or copied without the expressed written consent of Den Hartog Industries, Inc.

10-24 UNC THREADED BRASS INSERTS X 2 (THIS SIDE ONLY)
DHI P.N. 19001



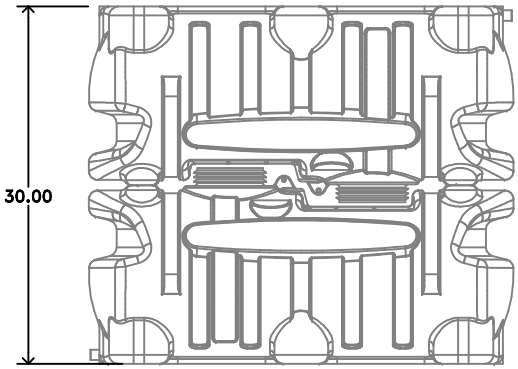
TANK BOTTOM SURFACE TO BE FLAT
WITHIN .25 T.I.R.

NOTE:
EXCEPT AS NOTED TOLERANCES ARE +/- 2%
OF DIMENSION INDICATED

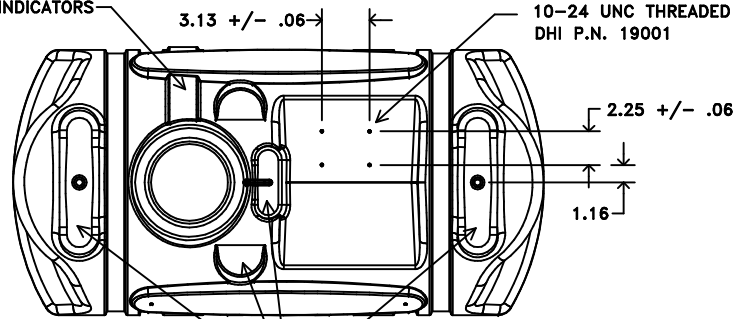
.313-18 UNC THREADED BRASS INSERTS X 6
DHI P.N. 19382

.75-11.5 NHR HOSE
COUPLING THREADS
X .75 LONG

(D)

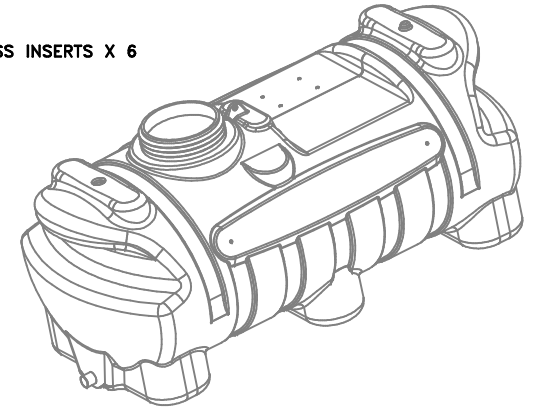


LITER / GALLON INDICATORS



10-24 UNC THREADED BRASS INSERTS X 6
DHI P.N. 19001

FLATS FOR PICKUP / RETURN LINE PLACEMENT



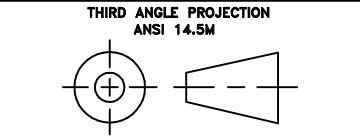
E	WEIGHT WAS 12.50	12/12/05
D	19382 WAS 19000	6/15/05
C	TOLERANCES CHANGED	8/22/02
B	TOLERANCES CHANGED	6/20/02
A	TOLERANCES CHANGED	1/30/02
REV	DESCRIPTION	DATE

DRAWN / DATE	REH/11/13/00
APPRD. / DATE	REH/11/13/00

MATERIAL:	MDPE X 12.00 LB.
-----------	------------------

ACE ROTO-MOLD
A DIVISION OF DEN HARTOG INDUSTRIES, INC.
CLIENT / DESCRIPTION
25 GAL. SPOT SPRAYER TANK (BLOW MOLDED)

ALL DIMENSIONS ARE IN DECIMAL INCHES
TOLERANCES UNLESS OTHERWISE SPECIFIED
± 2% @ 68° F



NOTES:
1. MIN. WALL .080 (E)

SCALE
N.S.

PART NO. TANK ONLY - WHITE SB00025W
TANK ONLY - YELLOW SB00025Y