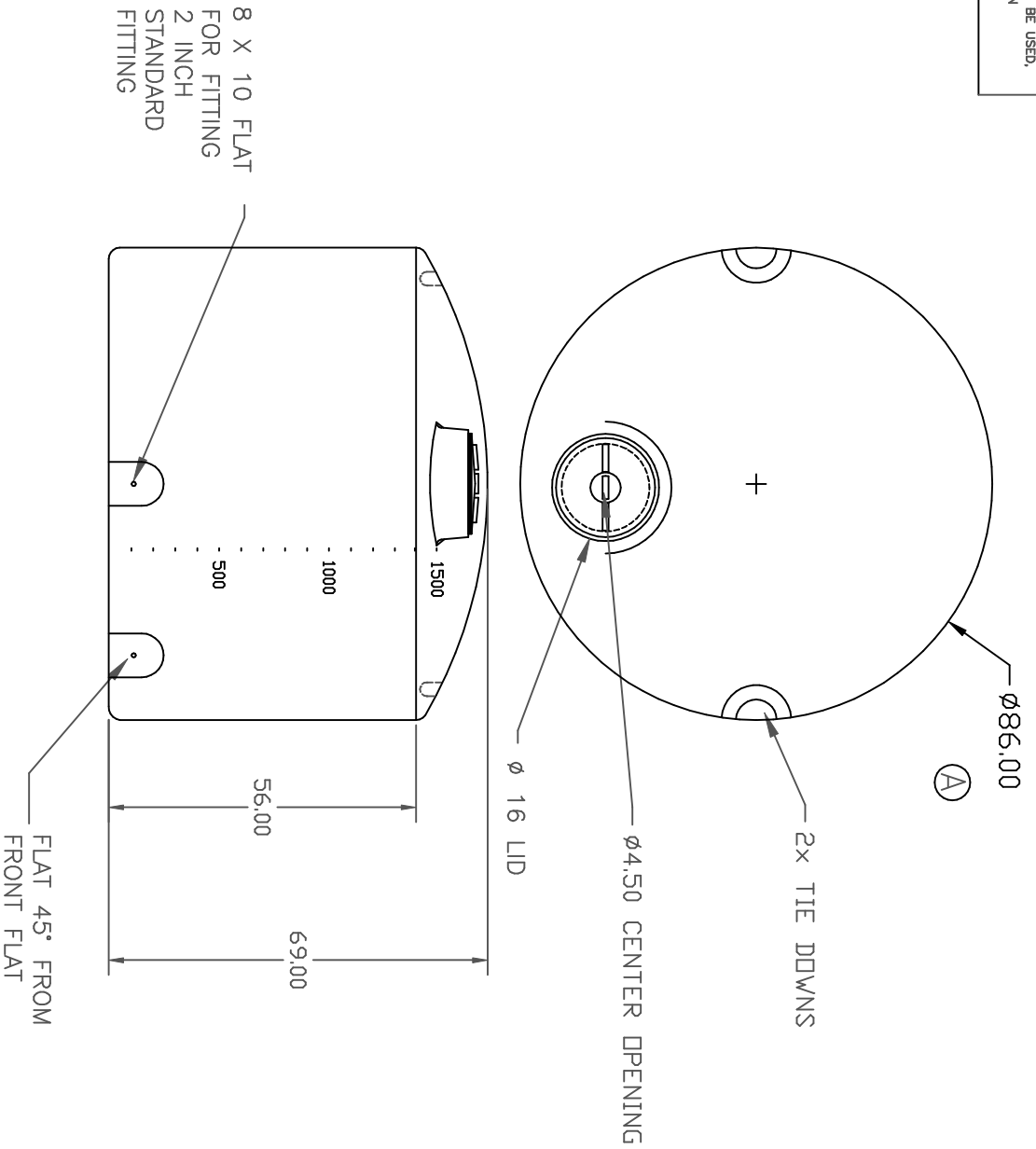


PROPRIETARY DATA

PROPERTY OF DEN HARTOG INDUSTRIES, INC. INFORMATION FURNISHED HEREIN IS THE PROPERTY OF DEN HARTOG INDUSTRIES, INC. AND SHALL NOT BE USED, DISCLOSED TO OTHERS, OR COPIED WITHOUT THE EXPRESSED WRITTEN CONSENT OF DEN HARTOG INDUSTRIES, INC. ALL RIGHTS RESERVED.

VT1500-86

A



DRAWN / DATE

DHJ 01/13/04

MATERIAL

HPPE OR EQUIVALENT  
REFERENCE MATERIAL DATA SHEET  
FOR SPECIFIC PROPERTIES.

CLIENT / DESCRIPTION

1500 GALLON VERTICAL TANK

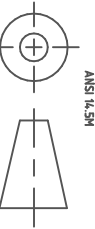


**ACE ROTO-MOLD**  
A DIVISION OF DEN HARTOG INDUSTRIES, INC.  
4010 HWY. 60 BLVD., BOX 425, HOSPERS, IOWA 51238

APPRD. / DATE

APPRD. / DATE

THIRD ANGLE PROJECTION  
ANSI 14.5M



NOTES:

1. BLUE, BLACK, GREEN, WHITE, OR YELLOW COLOR
2. SHOT WEIGHT 250 LBS.
3. NOM. WALL .300

SCALE

N.S.

PART NO.

VT1500-86

REV

DESCRIPTION

DATE

APPRD

ALL DIMENSIONS ARE IN DECIMAL INCHES  
TOLERANCES UNLESS OTHERWISE SPECIFIED

+ 1% @ 68° F